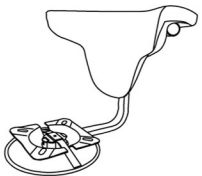
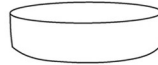
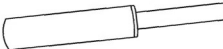
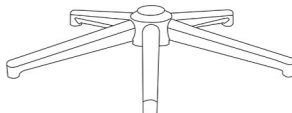
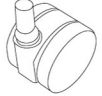


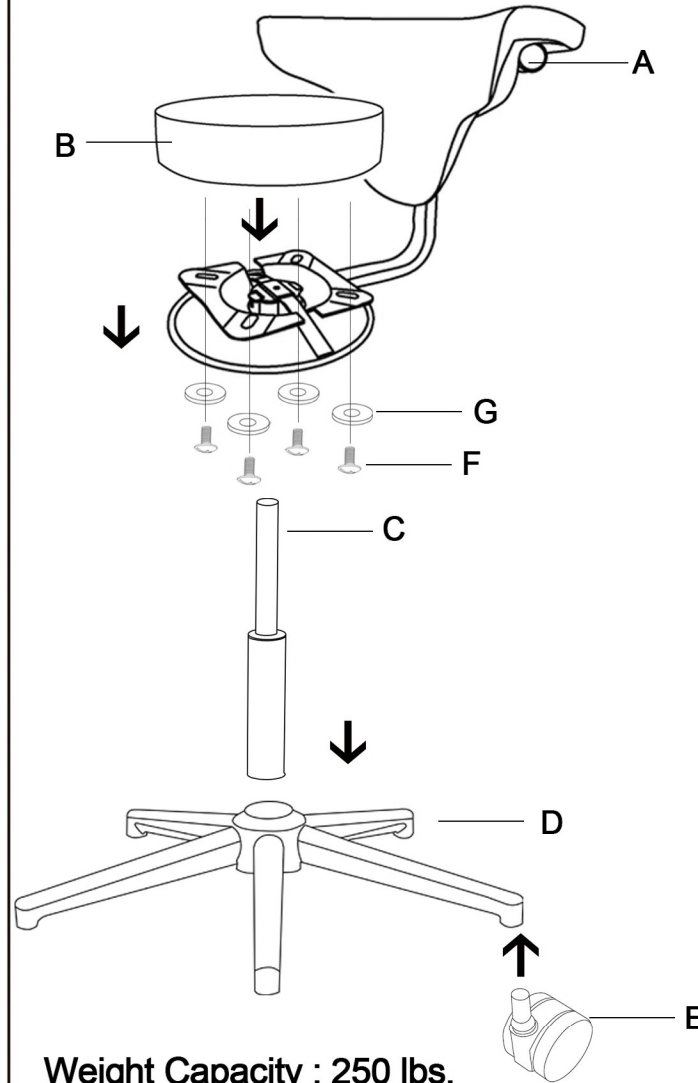


# Y13562 - Examination Stool Assembly Instructions

## Parts Listing

- |   |  |
|---|--|
| <p><b>A</b><br/>         Vinyl Upholstered<br/>         Back with chromed<br/>         Mechanism<br/>         1 Unit</p>  | <p><b>B</b><br/>         Vinyl Upholstered<br/>         Seat Cushion<br/>         1 Unit</p>  |
| <p><b>C</b><br/>         Gas Lift<br/>         1 Unit</p>   | <p><b>D</b><br/>         Steel Base<br/>         1 Unit</p>                                   |
| <p><b>E</b><br/>         Casters<br/>         5 Units</p>   | <p><b>F</b><br/>         Chromed Screws<br/>         4 Units</p>                            |
| <p><b>G</b><br/>         Chromed Washers<br/>         4 Units</p>   |  |



**Weight Capacity : 250 lbs.**

**Assembly Notes:**

During assembly, hand tighten screw only. When all screws are in place, you may then tighten all screws completely.

**CAUTION:**

1. Do not use this chair as a step ladder.
2. Check for loose screws and tighten them every 6 months.

## Assembly Instructions



**Tools Needed: Phillips Head Screwdriver**  
*Please read all instructions before assembly.*

- Step 1 : Insert the 5 Casters (E) into the outer holes on the Steel Base (D)
- Step 2 : Insert the bottom end of the Gas Lift (C) into the center hole on the Steel Base (D)
- Step 3 : Place the Seat Cushion (B) onto Back with chromed mechanism (A), aligning the screw holes on four hollow holes of mechanism by using four Chromed Screws (F) & Chromed Washers (G).
- Step 4 : Place entire Stool Back with Seat (A) & (B) onto top of the Gas Lift (C) and push down firmly to lock into place. (Make sure the top of Gas Lift has been properly fitted into the hole of Seat)

**Questions? Call Customer Service at 1-800-443-5117**  
**Monday - Friday 8:30 AM to 5:00 PM Central Time**